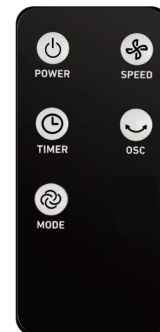


# 40" Digital Tower Fan with Remote Control



## Features:

- Digital Control Panel for Easy Operation
- Remote Control Function
- 4 Modes Selection, Regular, Sleep, Breeze, Power Breeze
- Up to 15 Hours and Auto Shut-off Timer
- Wide Angle Oscillation

### Intended Use:

This product is intended for indoor residential and office use only, not for industrial or other commercial applications. Use only with electrical wiring that is in good working order and that meets applicable codes and ordinances. If you have any questions whether your wiring is adequate, consult a qualified electrician.

While using your fan, you should follow the IMPORTANT INSTRUCTIONS listed below. As part of those instructions, we have used the word "WARNING" to indicate the level of hazard: WARNING indicates a hazard which, if not avoided, could result in injury or death.

## IMPORTANT INSTRUCTIONS

As with all electrical appliances, basic safety precautions should always be followed to reduce the risk of electric shock, fire, or injury to persons, including the following precautions:

- Read all the instructions before using this fan.
- Use this fan only as described in this manual. Any other use not recommended by the manufacturer may cause electrical shock, fire or injury to persons.
- Do not operate the fan with a damaged power cord or after the fan malfunctions or has been dropped in any manner.
- Use of extreme caution is necessary when any fan is used by or near children, disabled persons or pets and whenever the fan is left operating unattended.
- Do not place the fan on a small, unlevel, uneven or any surface which might allow fan to tip or fall.
- For proper operation, fan should be placed on a smooth, non-combustible, level surface.
- Always unplug fan when not in use, when moving from place to place, when assembling or disassembling parts, and before cleaning.
- The use of attachments, not recommended or sold by the manufacturer, may cause hazards.
- Do not use outdoors.
- Do not use fan in window. Rain may cause electrical hazard (for non-window models).
- Do not operate the fan with blade guards or any safety device removed.
- Avoid the use of extension cords due to risk of fire. If an extension cord must be used, the cord must be minimum 14 AWG and rated not less than 1875 watts.
- Do not run power cord under carpeting. Do not cover cord with throw rugs, runners or the like. Arrange cord away from traffic area where it will not be tripped over.
- Do not insert or allow any object to enter any openings on the fan. Doing so may cause electric shock and/or fire hazard. Avoid contact with moving parts.
- This appliance is not intended for use by persons (including children) with reduced physical, sensory or mental capabilities or lack of experience and knowledge, unless they have been given supervision or instruction concerning use of the appliance by a person responsible for their safety.
- Children should be supervised to ensure they do not play with the appliance.

## READ & SAVE THESE INSTRUCTIONS

### **⚠ WARNING:** Shock Hazard

Use your fan only in dry environments. This fan is not intended for use in a bathroom, laundry area, or similar locations, or near sinks, washing machines, swimming pools or other sources of water. Never locate fan where it may fall into a bathtub or other water receptacle. Do not use in damp environments such as flooded basements.

### **⚠ WARNING:** Hot Surfaces

Do not touch fan motor when in use. This motor is hot when in use, to avoid burns, do not let bare skin touch hot surfaces.

### **⚠ WARNING:** Fire Hazard

Fans have arcing or sparking parts inside. Do not use near combustible materials or flammable gases or sources of heat. DO NOT USE in areas where gasoline, paint or flammable materials are used or stored. To prevent a possible fire, do not block air intakes or exhaust in any manner. Do not insert or allow foreign objects to enter any ventilation or exhaust opening as this may cause an electric shock, fire, or damage the fan.

### **⚠ WARNING:** Electrical Shock Hazard

Do not use with damaged cord or plug. Use with adequate electrical system that is up to code.

**⚠ CAUTION:** to Prevent Electric Shock, this product has a polarized two prong plug (one blade is wider than the other) that must be fully inserted in to a matching properly grounded outlet. This plug is designed to fit a polarized outlet only one way. If the plug does not fit fully into the outlet, reverse the plug. If the plug still does not fit, contact a qualified electrician. Do not attempt to defeat this safety feature.

**⚠ WARNING:** to Reduce the Risk of Fire or Electric Shock, do not use this product with any solid-state speed control device.

**DO NOT** operate any fan with a damaged cord or plug or after fan malfunctions, has been dropped or damaged in any manner. Do not operate fan with a broken blade, safety cage or any visual imperfections. Disconnect power before servicing.

**DO NOT** run power cord under carpeting. DO NOT cover cord with throw rugs, runners or the like. Arrange cord away from traffic area where it will not be tripped over. Avoid the use of extension cords due to risk of fire. If an extension cord must be used, the cord must be minimum 14 AWG and rated not less than 1875 watts. Do not use an extension cord unless the plug can be completely inserted into its receptacle. Unplug the fan when not in use. Do not operate fan with its ventilation obstructed.

Figure 1

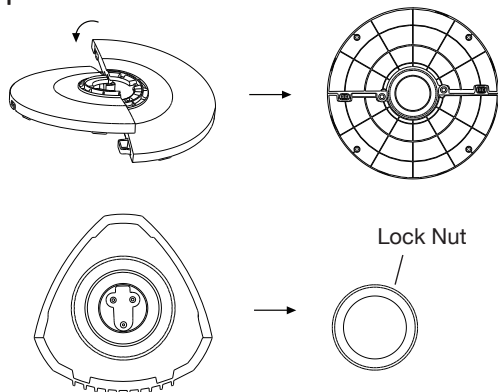
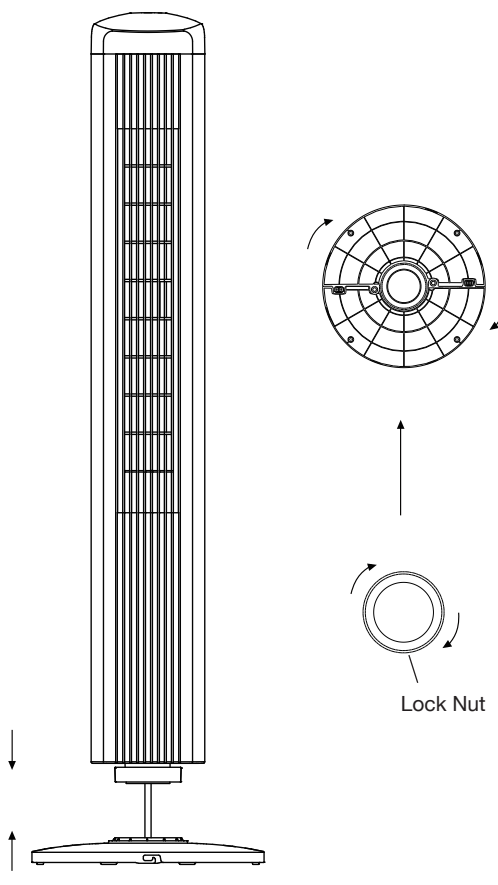


Figure 2



**ASSEMBLY**

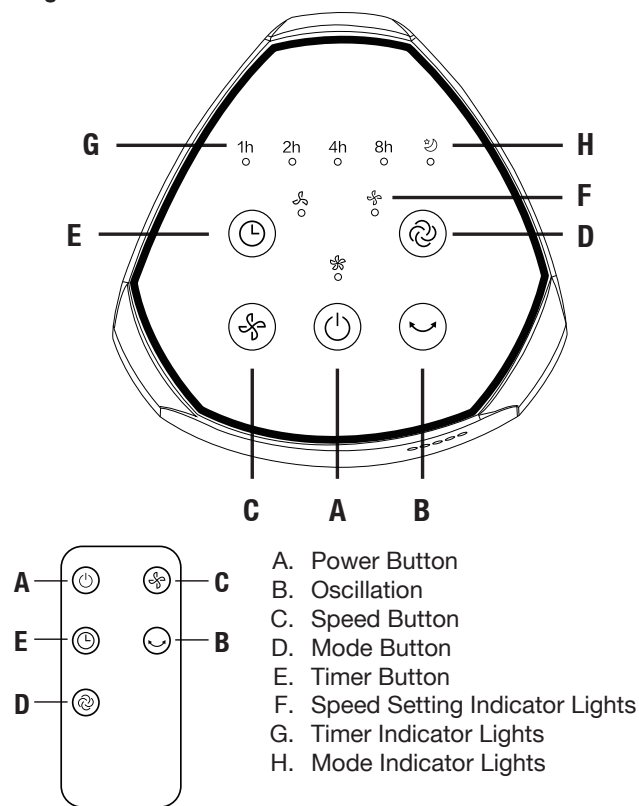
**NOTE:** MAKE SURE YOU REMOVE ALL CONTENTS FROM THE PACKAGE. PLEASE CHECK PACKAGING MATERIALS FOR PARTS THAT COULD BE REQUIRED TO OPERATE YOUR FAN.

1. Align and press together the base halves (figure 1).
2. Remove the lock nut from the fan housing by rotating counterclockwise (Figure 1,2).
3. Place the base onto the bottom of the fan housing and rotate to secure.
4. Place the lock nut onto the bottom of the base and rotate clockwise to tighten (Figure 2).
5. Place fan upright on a dry, level surface.

**OPERATING INSTRUCTIONS (Figure 3)**

1. Plug the cord into a standard 120 Volt AC outlet.
2. To turn the fan ON, press the POWER button (A) located on the control panel or remote control. The fan will start running in the lowest setting "I"(LOW).

Figure 3



3. Press the SPEED button (C) to cycle through the 3 speed settings in sequence. The corresponding indicator light will illuminate to confirm the selection:  
 ☹-Low ☼-Medium \*-High
4. To turn OSCILLATION ON and OFF, press the Oscillation (B) button.
5. To set automatic shutoff, press the TIMER button (E). When set, the fan will run and automatically shut off after the set duration of time (1-15 hours) has expired.  
**Note:** To set the timer for 15 hours, press the timer button until all four lights (1H, 2H, 4H, 8H) are illuminated.
6. To activate SLEEP mode, press the MODE button (D). This function circulates the speed from High, Medium to Low.

**REMOTE CONTROL**

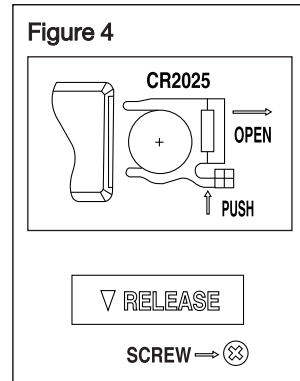
**NOTE:** THIS UNIT INCLUDES ONE LITHIUM BATTERY, CR2025/3V. PLEASE REMOVE THE PROTECTIVE PLASTIC FROM THE REMOTE CONTROL BATTERY BEFORE OPERATION.

To operate the fan with the remote control, aim it towards the control panel on top of the fan tower. The remote control can operate from a distance up to approximately 16 feet from the fan body and at an angle variation of 15-20 degrees. Avoid exposing the display panel to direct sunlight, as it may interfere with signal transmission.

### Replacing the Remote Control Battery (Figure 4)

The cells should be disposed of properly, including keeping them away from children. Even used cells may cause injury.

1. Locate the battery compartment on the back of the remote control handset. Loosen the screw on the back. Press tab and pull out battery.
2. Remove old battery.
3. Place new battery into battery compartment.
4. Slide battery compartment into the remote control handset.



#### NOTES:

1. Remove the battery from the remote when it is not in use for an extended period.
2. Remove the battery before discarding the remote at the end of its useful product life.
3. Do not discard used batteries into household trash containers. Contact your local government for disposal or recycling practices in your area.

**Note:** Some models come with a plug where you can replace a fuse. If your model has this, please read and follow the below instructions to replace the fuse.

This product employs overload protection (fuse). A blown fuse indicates an overload or short-circuit situation. If the fuse blows, unplug the product from the outlet. Replace the fuse as per the user servicing instructions (follow product marking for proper fuse rating) and check the product. If the replacement fuse blows, a short-circuit may be present and the product should be discarded or returned to an authorized service facility for examination and/or repair.

#### Fuse Replacement:

1. Grasp plug and remove from the receptacle or other outlet device. Do not unplug by pulling on cord.
2. Open fuse cover by sliding open fuse access cover on top of attachment plug towards blades. See Fig. 2
3. Remove fuse carefully. Use a small tool to pry the end of the fuse from holder cavity. Be careful not to break glass window.
4. Replace fuse.  
**WARNING:** Risk of fire. Replace fuse only with identical 2.5 or 5.0 Amp, 125 Volt fuse (3.6mm x 10mm). Be sure fuse is properly seated within its cavity.
5. Close fuse cover by sliding it back to its original closed position.

Fig 1



Fig 2



Fig 3



### Limited Warranty

This unit is guaranteed to the original retail purchaser against defects in quality or workmanship for a period of one year from the date of original purchase. If this unit fails because of a manufacturing defect within 30 days of purchase, return the unit, with your receipt, to the retailer. After 30 days, but within the warranty period, if the unit was purchased within the continental United States, return it, to Mr. Brands LLC for repair or replacement. If the unit was purchased outside the continental United States, return the unit to the place of purchase. This warranty does not cover damage caused by misuse, abuse, overheating or alteration. Repairs made by anyone other than Mr. Brands LLC are not covered in this warranty. Mr. Brands LLC will not be held liable for any losses due to neglectful operation. All implied warranties, including the warranties of merchantability and of fitness of purpose, if applicable, are hereby limited in duration to the period of one year from the date of original retail purchase. Some states do not allow limitations on how long an implied warranty lasts, so the above limitations may not apply to you. Incidental or consequential damages arising from a breach of either express or implied warranties are hereby disclaimed and excluded. Some states do not allow the exclusion of limitation of incidental or consequential damages, so this limitation or exclusion may not apply to you. Upon the expiration of this warranty all such liability will terminate. No other warranties are expressed or implied.

This warranty gives you specific legal rights, and you may also have other rights which vary from state to state. No informal dispute settlement mechanisms are available. This limited warranty is given in lieu of all other warranties.

Mr. Brands LLC  
113 Fillmore St  
Bristol, PA 19007  
1-877-420-7555  
www.mrbrands.com  
www.comfortzoneproducts.com



#### WARNING:

Cancer and Reproductive Harm --  
www.P65Warnings.ca.gov

Rev. 09/25/23