



OWNER'S MANUAL

Electric Radiant Heater

Model NO.: FW550-15A

SKU#:32553



120V~ 60Hz 750W/1500W



Save These Instructions

Table of Contents

Specifications 2

Important Safety Instructions 3

Operating Instructions 5

Assembly Instructions 6

Important Safety Features 7

Care and Maintenance 7

Warranty 8

Specifications

Model Number	:	FW550-15A
Voltage Rating	:	120 V AC (60 Hz)
Power Consumption	:	750 W / 1,500 W
BTU Output	:	5,120 BTUs
Amps	:	12.5 A
Unit Size	:	16.75" (W) x 7.25" (D) x 11.75" (H)
Unit Weight	:	4.84 lbs.

Important Safety Instructions

Intended use:

This product is intended for indoor residential and office use only, not for industrial or other commercial applications. Use only with electrical wiring that is in good working order and that meets applicable codes and ordinances. This heater must be plugged in to a 120V AC, 15 Amp. (or larger) circuit. Do not plug any other appliance into the same circuit. If you have any questions whether your wiring is adequate, consult a qualified electrician. Risk of fire, overheating, malfunction, property damage, injury or even death may result if not adhered to.

Use your heater-fan only with a working smoke detector located in the vicinity of this appliance.

While using your heater/fan, you should follow the IMPORTANT INSTRUCTIONS listed below. As part of those instructions, we have used the word WARNING to indicate the level of hazard: WARNING indicates a hazard which, if not avoided, could result in injury or death.

Important Instructions

When using electrical appliances, basic precautions should always be followed to reduce the risk of fire, electric shock and injury to persons, including the following:

1. Read all the instructions before using this heater/fan.
2. This heater/fan is hot when in use. To avoid burns, do not let bare skin touch hot surfaces. Use provided handle when moving this heater. Keep combustible materials, such as furniture, pillows, bedding, papers, clothes and curtains at least 3 feet (0.9 meters) from the front of the heater-fan and keep them away from the sides and rear.
3. Do not leave heater operating while unattended. Use of extreme caution is necessary when any heater is used by or near children, invalids, disabled persons or pets.
4. Do not operate the heater with a damaged power cord or after the heater malfunctions, has been dropped or damaged in any manner. Return heater to authorized service facility for examination, electrical or mechanical adjustment or repair.
5. Do not use heater outdoors.
6. Use your heater only in dry environments. This heater is not intended for use in a bath room, laundry area, or similar locations, or near sinks, washing machines, swimming pools or other sources of water. Never locate heater where it may fall into a bathtub or other water container. Do not use in damp environments such as flooded basements.
7. Do not place the heater on a small, unlevel, uneven or any surface which might allow heater to tip or fall.
8. For proper operation, heater should be placed on a smooth, non-combustible surface. Do not place on rugs, carpet, vinyl flooring or other plastic surfaces. Not for use outdoors or in wet areas.
9. This heater is not designed as a primary heat source.
10. Always plug heaters directly into a wall outlet/ receptacle. Never use with an extension cord or relocatable power tap (outlet/power strip). Always unplug heater when not in use.
11. Do not run power cord under carpeting. Do not cover cord with throw rugs, runners or similar coverings. Arrange cord away from traffic area where it will not be tripped over.
12. To disconnect heater, turn controls off then remove plug from outlet.
13. Do not insert or allow foreign objects to enter any ventilation or exhaust opening as this may cause an electric shock or fire or damage the heater.

14. To prevent a possible fire, do not block air intakes or exhaust in any manner. Do not use on soft surfaces like a bed, where openings may become blocked.
15. A heater has hot and arcing or sparking parts inside. Do not use it in areas where gasoline, paint or flammable liquids are used or stored.
16. Use this heater only as described in this manual. Any other use not recommended by the manufacturer may cause fire, electric shock or injury to persons or property.
17. This appliance is not intended for use by persons (including children) with reduced physical, sensory or mental capabilities, or lack of experience and knowledge, unless they have been given supervision or instruction concerning use of the appliance by a person responsible for their safety. Children should be supervised to ensure that they do not play with the appliance.

SAVE THESE INSTRUCTIONS.



WARNING: SHOCK HAZARD

Use your heater only in dry environments. This heater is not intended for use in a bath room, laundry area, or similar locations, or near sinks, washing machines, swimming pools or other sources of water. Never locate heater where it may fall into a bathtub or other water container. Do not use heater outdoors. Do not use in damp environments such as flooded basements.



WARNING: HOT SURFACES

Do not touch body of heater when in use. This heater is hot when in use; to avoid burns, do not let bare skin touch hot surfaces. If provided, use handles when moving this heater.



WARNING: FIRE HAZARD

This heater has hot and arcing or sparking parts inside. Do not use near combustible materials or flammable gases or sources of heat. **DO NOT USE** in areas where gasoline, paint or flammable materials are used or stored. Keep combustible materials such as furniture, pillows, bedding, papers, clothes and curtains at least 3 feet (0.9 m) from the front of the heater and keep them away from the sides and rear. To prevent a possible fire, do not block air intakes or exhaust in any manner.

Do not use on soft surfaces, like a bed, where openings may become blocked. Do not place the heater near a bed because objects such as pillows or blankets can fall off the bed and be ignited by the heater. Do not insert or allow foreign objects to enter any ventilation or exhaust opening as this may cause an electric shock, fire, or damage the heater.



WARNING: ELECTRICAL SHOCK HAZARD

Do not use with damaged cord or plug. Use with adequate electrical system that is up to code.

The supply cord has a polarized plug. As a safety feature this plug will fit in a polarized outlet only one way. To prevent electric shock, match wide blade of plug to wide slot, fully insert plug. If the plug does not fit contact a qualified electrician.

Do not operate any heater with a damaged cord or plug or after heater malfunctions, has been dropped or damaged in any manner. Do not operate heater with a broken heating element or ceramic cone, or any visual imperfections. For repairs covered under warranty, see warranty statement.

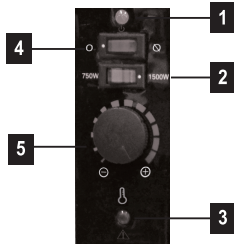


PET OWNERS NOTE :

The health of birds and some small pets are extremely sensitive to the fumes given off during the initial use of many appliances. Although these fumes are not harmful to humans, it is recommended that this heater not be used around birds and small pets during its initial use until the manufacturing corrosion coatings burn off.

Operating Instructions

Control Panel



1. Power Indicator Light
2. Power Level
3. Alarm Indicator
4. Power Switch
5. Thermostat Control

Heater Operation: Always operate the heater in the upright position following all instructions and recommendations listed in this manual.

Heater Location: Place the heater in the area of the room that is coldest.

Heater Connection: Plug heater directly into 120 volt A.C., 60 Hz wall outlet. Be sure plug fits tightly in outlet. A loose connection may cause overheating and damage to the plug or heater.

NOTE: To prevent overloading a circuit, do not plug the heater into a circuit that is servicing other electrical appliances.

Turning Heater On: To start the heater, turn the Power Switch from the OFF position (⊗) to the ON position (⊙). Then rotate the thermostat control clockwise to the HIGH THERMOSTAT position as described below. (During the heaters initial use, you may experience a slight odour or smoke. This is the result of the heating element lubrication “burning off”. This is normal and will go away after a few minutes of use.)

Power Level Switch: This heater has two heat settings: 750 and 1,500 watts. Use the higher setting (1,500 WATT) to raise the room temperature quickly. When the desired temperature is reached use the lower 750 WATT setting. It is usually sufficient to maintain a comfortable temperature.

Setting Thermostat: After heater has been turned on and the room has reached the desired temperature, slowly rotate the thermostat knob counter-clockwise until the heater shuts off (you should hear a faint “click”). By leaving the thermostat at this setting it will automatically maintain this temperature. To lower temperature, rotate the knob further counter-clockwise (towards the LOW position (-)). To raise the temperature, rotate the thermostat knob clockwise (towards the HIGH position (+)).

Turning Off: Turn the Power Switch to the OFF position (⊗) before unplugging or plugging in the heater. Heater should be unplugged when not in use.

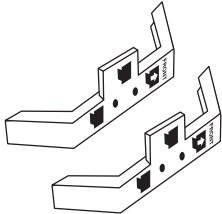
Power Indicator Light: The Power Indicator Light will illuminate when the heater is turned on.

Alarm Indicator: The Alarm Indicator will illuminate when the heater has overheated. If light is illuminated, immediately turn the Power switch to the OFF position (⊗) then unplug the unit. Follow instructions in the Important Safety Features section below.

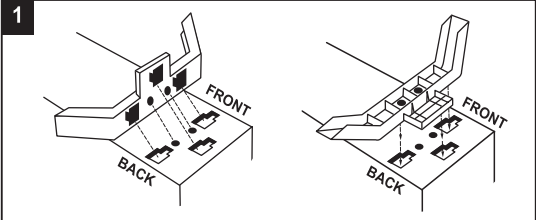
Assembly Instructions

This heater is packaged with the legs unassembled. The legs must be attached before operating the heater.

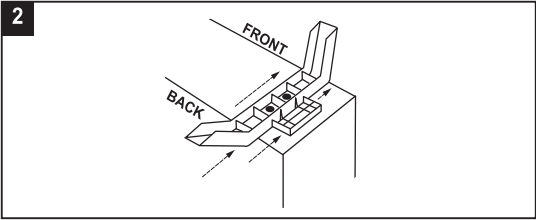
Please notice the arrow on each base leg. It shows the installation direction to the front of the heater.



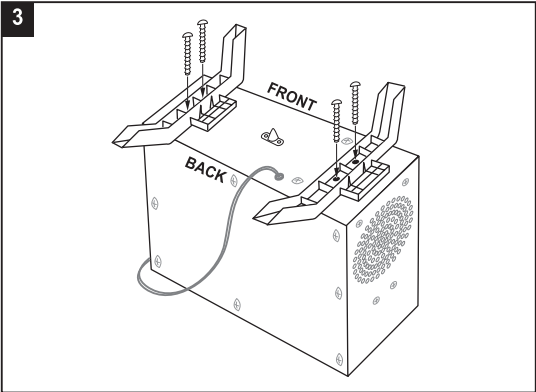
1. Insert the protrusions on the leg into the notches on the bottom of the heater.



2. Once inserted, push base leg towards heater front until it stops.



3. Use supplied screws to secure leg. Repeat steps for second leg.



Important Safety Features

The Power Indicator Light, located above the On/Off Switch, lights whenever the heater is turned on. The heater is equipped with an automatic overheat protection device located inside the body of the heater. If the heater grille is obstructed, or if the heater gets too hot for any reason, the automatic overheat protection device will turn the heater off. To reset the heater, simply turn power off and unplug the heater for 10 minutes until it cools down and restart. Be sure that the heater is on a smooth level surface with no obstructions.

Care and Maintenance

Cleaning: This heater should be cleaned at least once a year to maintain proper performance. Clean the outside surface with a clean damp cloth. Do not use harsh chemical or abrasive cleaners. DO NOT IMMERSE THE HEATER IN WATER. Allow heater to dry completely before use.



CAUTION: Before cleaning the heater, be sure to disconnect power cord and allow the heater to cool completely.

Repair: DO NOT OPERATE THE HEATER WITHOUT THE GRILLE IN PLACE. DO NOT USE THE HEATER IF IT HAS MALFUNCTIONED OR BECOME DAMAGED IN ANY WAY.

Storage: Keep original carton for storage of the heater. Coil and tie the power cord to avoid damage during storage.

Warranty:

This unit is guaranteed to the original retail purchaser against defects in quality or workmanship for a period of one year from the date of original purchase. If this unit fails because of a manufacturing defect within 30 days of purchase, return the unit, with your receipt, to the retailer. After 30 days, but within the warranty period, if the unit was purchased within the continental United States, return it, to Mr. Brands LLC for repair or replacement. If the unit was purchased outside the continental United States, return the unit to the place of purchase. This warranty does not cover damage caused by misuse, abuse, overheating or alteration. Repairs made by anyone other than Mr. Brands LLC are not covered in this warranty. Mr. Brands LLC will not be held liable for any losses due to neglectful operation. All implied warranties, including the warranties of merchantability and of fitness of purpose, if applicable, are hereby limited in duration to the period of one year from the date of original retail purchase. Some states do not allow limitations on how long an implied warranty lasts, so the above limitations may not apply to you. Incidental or consequential damages arising from a breach of either express or implied warranties are hereby disclaimed and excluded. Some states do not allow the exclusion of limitation of incidental or consequential damages, so this limitation or exclusion may not apply to you. Upon the expiration of this warranty all such liability will terminate. No other warranties are expressed or implied. This warranty gives you specific legal rights, and you may also have other rights which vary from state to state. No informal dispute settlement mechanisms are available. This limited warranty is given in lieu of all other warranties.

CUSTOMER ASSISTANCE

FOR IMMEDIATE CUSTOMER SERVICE, CALL: 1-877-420-7555
A CUSTOMER SERVICE REPRESENTATIVE WILL ASSIST YOU WITH
ANY QUESTIONS REGARDING YOUR HEATER.

Distributed By:
Mr. Brands, LLC.
Made in China

 **WARNING:**
Cancer and Reproductive Harm –
www.P65Warnings.ca.gov