

145.00 mm

210.00 mm



OWNER'S MANUAL

16" STAND FAN

ITEM NO.: xxxxx 01289



1



OPERATING THE FAN.

READ AND FOLLOW ALL INSTRUCTIONS BEFORE OPERATION FAN

CAUTION

Read and follow all instructions before operating fan. Do not use fan if any part is damaged or missing.

WARNING

1. To reduce the risk of fire or electric shock, do not use this fan with any solid state speed control device.
2. This appliance has a polarized plug which is intended to fit in an outlet only one way. If this does not fit outlet, contact a qualified electrician. Do not attempt to by-pass this procedure.
3. This product is to be used indoors.
4. Unplug from electrical supply source before cleaning.
5. If the power cord is damaged, contact your local service center or a qualified electrician to install an appropriate replacement cord to prevent any injury or damage.
6. This appliance is not intended for use by persons (including children) with reduced physical, sensory or mental capabilities, or lack of experience and knowledge, unless they have been given supervision or instruction concerning use of the appliance by a person responsible for their safety.
7. Children should be supervised to ensure that they do not play with the appliance.

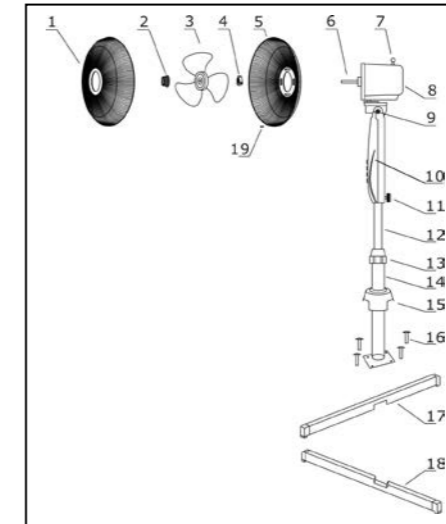
RULES FOR SAFE OPERATION

1. Never insert fingers, pencils, or any other object through the guard when fan is running.
2. Disconnect the fan when moving from one location to another.
3. Disconnect the fan when removing grills for cleaning.
4. Be sure fan is on a stable surface when operating to avoid overturning.
5. DO NOT use fan in window. Rain may create electrical hazard.
6. The fan is for Home use only.
7. Do not leave the fan running unattended.

ASSEMBLY INSTRUCTIONS

1. Front Grill
2. Blade Cap
3. Blade
4. Mounting Nut
5. Rear Grill
6. Motor Shaft
7. Oscillating Knob

8. Motor Housing
9. Neck Screw
10. Switch Panel
11. Set Screw
12. Inner Tube
13. Height Adjustment Collar
14. Outer Tube
15. Base Decorative Cap
16. Cross bar Screws (4pcs)
17. Cross bar A
18. Cross bar B
19. Nut and bolt



- Loosen and remove the four screws (16) from the bars. Then interlock bar A (17) and bar B (18).
- Be sure to align the four holes in the bars with those on the flange of the Outer Tube (14). Secure the flange to the bars with the four cross bar screws (16).
- Loosen and remove the Height Adjustment Collar (13) from the top of the Inner Tube (12). Slide the Base Decorative Cap (15) down over the assembled cross bars.
- Replace the Height Adjustment Collar (13) on top of the Inner Tube (12). Pull the Inner Tube out from the Outer Tube (14) to adjust the tube to the desired height and tighten the collar (13). **counterclockwise**
- If necessary, slightly loosen the Set Screw by turning it **counterclockwise**. Slide the Switch Panel (10) down over the Inner Tube (12) and tighten the Set Screw (11). Make sure the Set Screw (11) is tightly secured.
- Unscrew the plastic mounting nut (4) from the front of the motor housing (8) by rotating it counterclockwise.
- Position the rear grill (5) against the front of the motor housing (8) with the handle uppermost, ensuring that the locating pegs on the motor housing (8) are engaged correctly in the holes of the rear grill (5).
- Tighten the Rear Grille Mounting Nut (4) clockwise. DO NOT OVERTIGHTEN IT.
- Push the fan blade (3) onto the motor shaft (6), locating the slot at the back of the blade on the drive pin that passes through the motor shaft (6).
- Tighten the blade cap (2) by turning it counterclockwise.
- Position the front grill (1) against the rear grill (5) so that the holes in the rims that accept the small nut and bolt are in line. Insert the bolt through the holes and screw on the nut. Do not fully tighten at this stage.
- Push the grill retaining clips into position ensuring that they engage correctly on the rim of the grill.
- Fully tighten the small nut and bolt (19) that passes through the rim of the grill.

OPERATION INSTRUCTIONS

- Place your fan on a level and dry surface.
- Plug the power cord into a standard 120V AC, 60HZ outlet. Please make sure the Selector (Speed Control) is in the OFF position. Select the desired speed setting. There are 4 settings – 0 (off), 1 (low), 2 (medium) and 3 (high).
- The fan can be set to oscillate by pushing Oscillating Knob downwards. To stop the oscillating feature, pull-up the Oscillation Knob.
- To adjust the tilt angle of fan head upward or downward by simply moving the guard up or down.

Caution: The fan should always be switched off when making this adjustment.

USER SERVICING INSTRUCTIONS

1. Grasp plug and remove from the receptacle or other outlet device. Do not unplug by pulling on cord
2. Open fuse cover. Slide open fuse access cover on top of attachment plug towards blades. (see fig.1)
3. Remove fuse carefully. Remove the fuse by prying it out carefully. (see fig.2)
4. Risk of fire. Replace fuse only with 5 Amp, 125 Volt fuse.
5. Close fuse cover. Slide closed the fuse access cover on top of attachment plug. (see fig.3).
6. Risk of fire. Do not replace attachment plug. Contains a safety device (fuse) that should not be removed. Discard product if the attachment plug is damaged.



←

Fig. 1



Fig. 2



→

Fig. 3

Tips: Do not overexert when replacing the fuse or damage may occur. If it's hard to close the access cover, make sure the fuse is fully inserted.

CLEANING:

1. Be sure to unplug from the electrical supply source before cleaning.
2. Plastic parts should be cleaned with mild soap and damp cloth or sponge. Thoroughly remove soap film with clean water.
3. Be sure not to allow water or other liquid into the motor.

Distributed by,
Mr. Brands LLC
1-877-420-7555
Made in China